

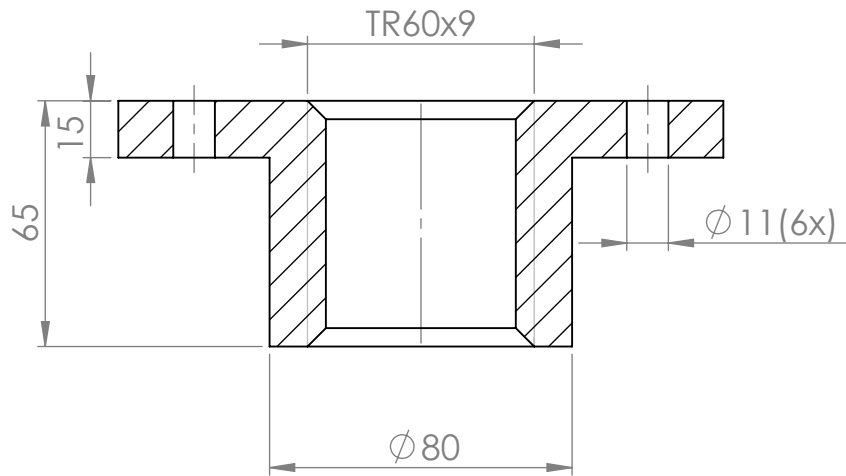
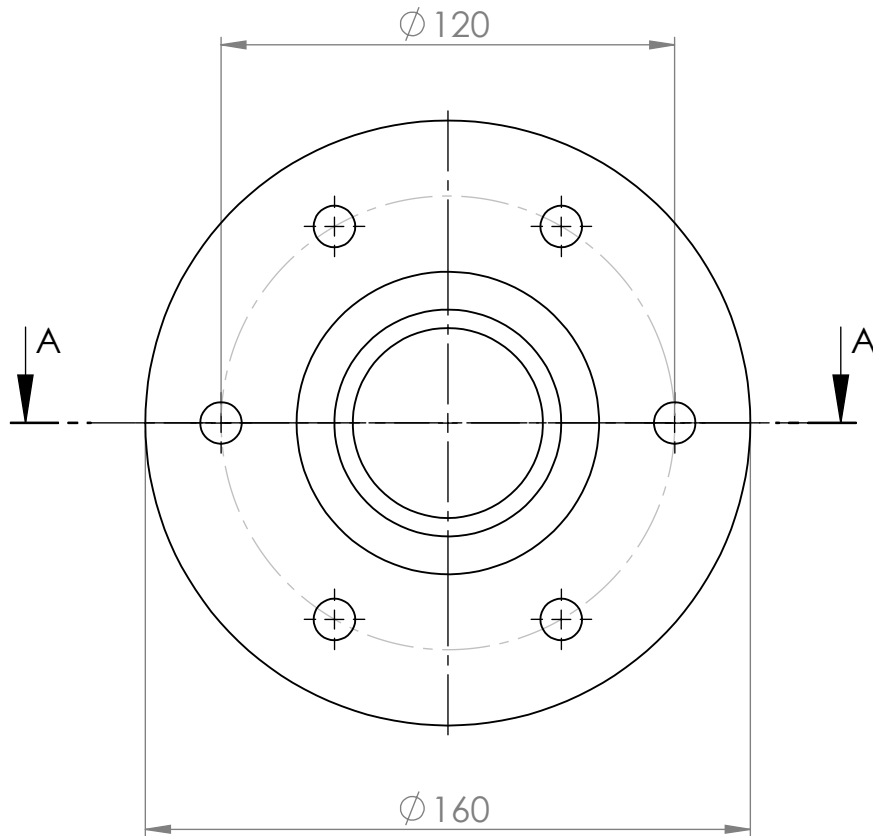
A

B

C

D

E



A-A

UNLESS OTHERWISE SPECIFIED:
 DIMENSIONS ARE IN MILLIMETERS
 SURFACE FINISH:
 TOLERANCES:
 LINEAR:
 ANGULAR:

FINISH:

DEBUR AND
 BREAK SHARP
 EDGES

DO NOT SCALE DRAWING

REVISION

	NAME	SIGNATURE	DATE		
DRAWN	Koch				
CHKD					
APPV'D					
F MFG					
Q.A				MATERIAL:	
				WEIGHT:	

TITLE:	
Bornemann Gewindetechnik	
DWG NO.	Flanschmutter
	A4
SCALE: 1:2	SHEET 1 OF 1